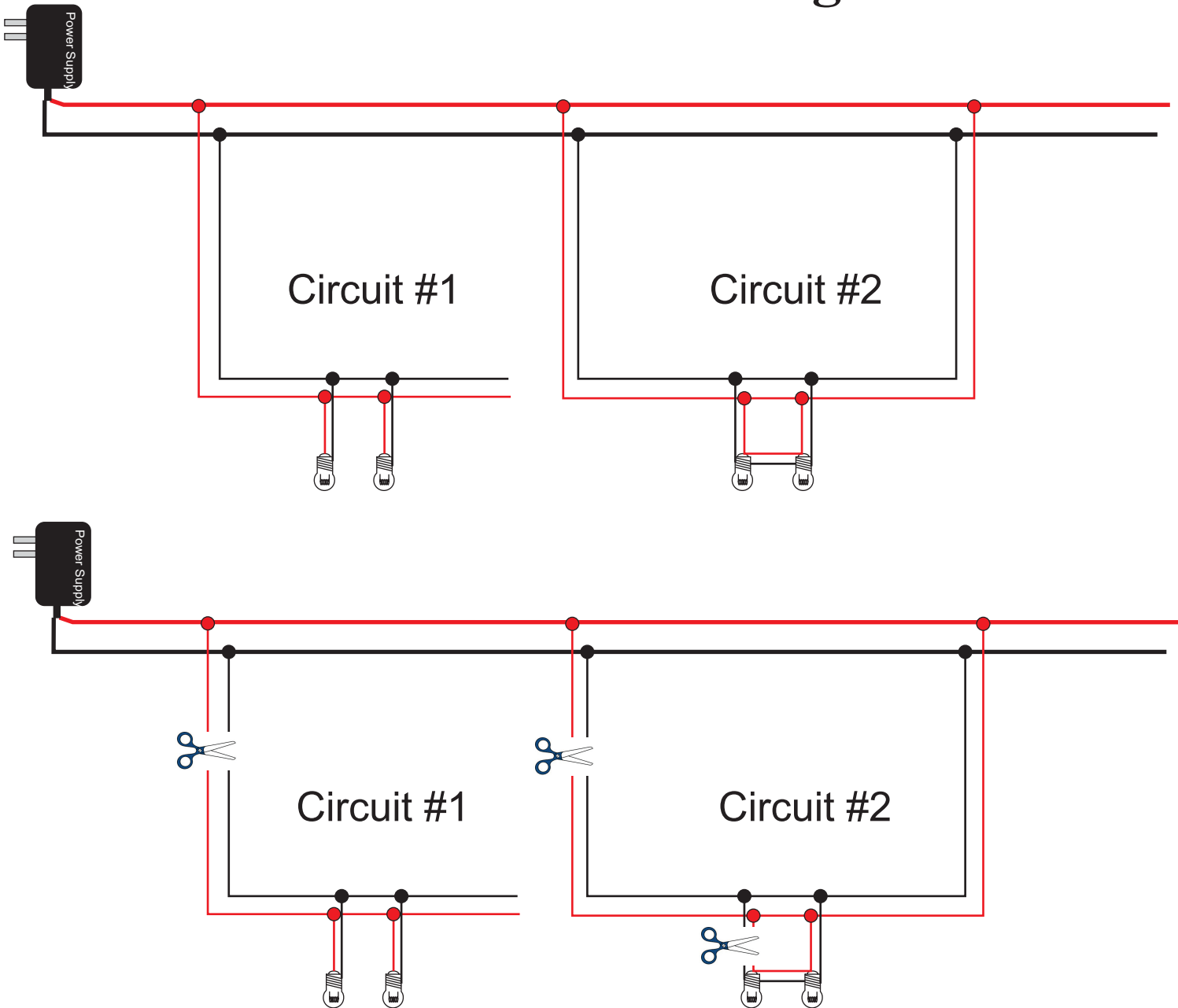


## Redundant Wiring



Redundant wiring accomplishes two things:

1. Allows for a second path to complete a circuit.
2. Allows twice the current to travel through the wires.