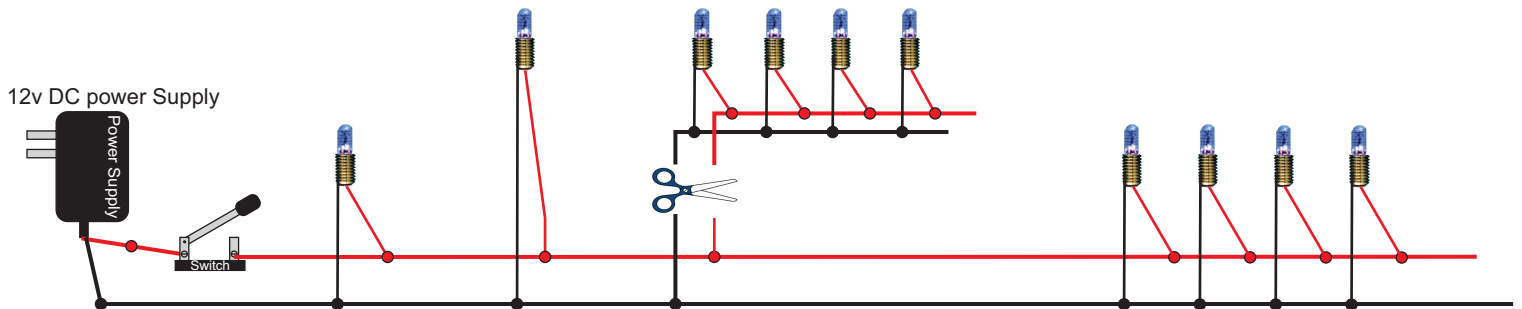
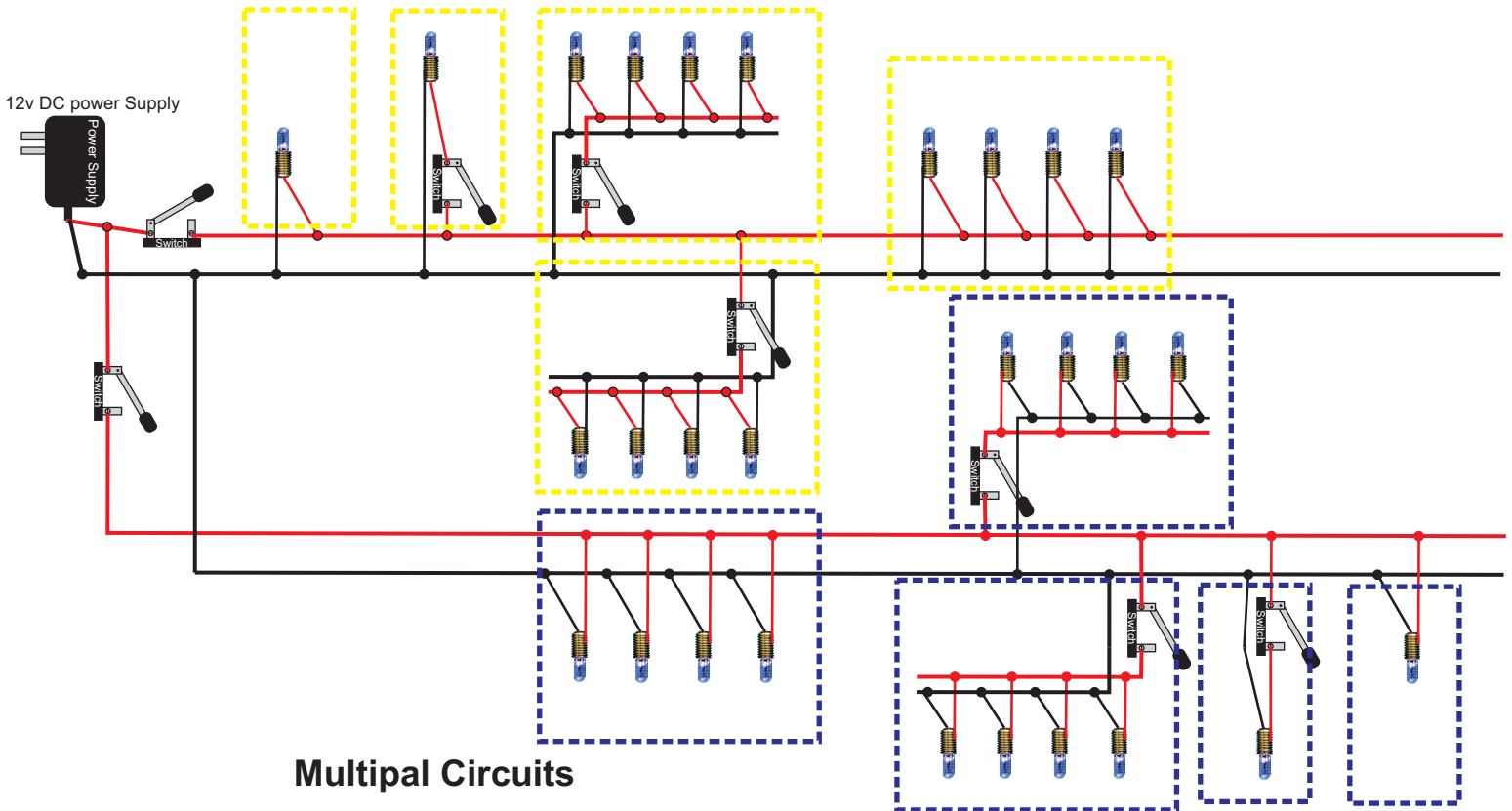


Circuits 2



1. Always red (+) to the Left
2. Always red (+) to the Top
3. Position outlets and light fixtures in one direction:
Keep positive connection at top or left side.