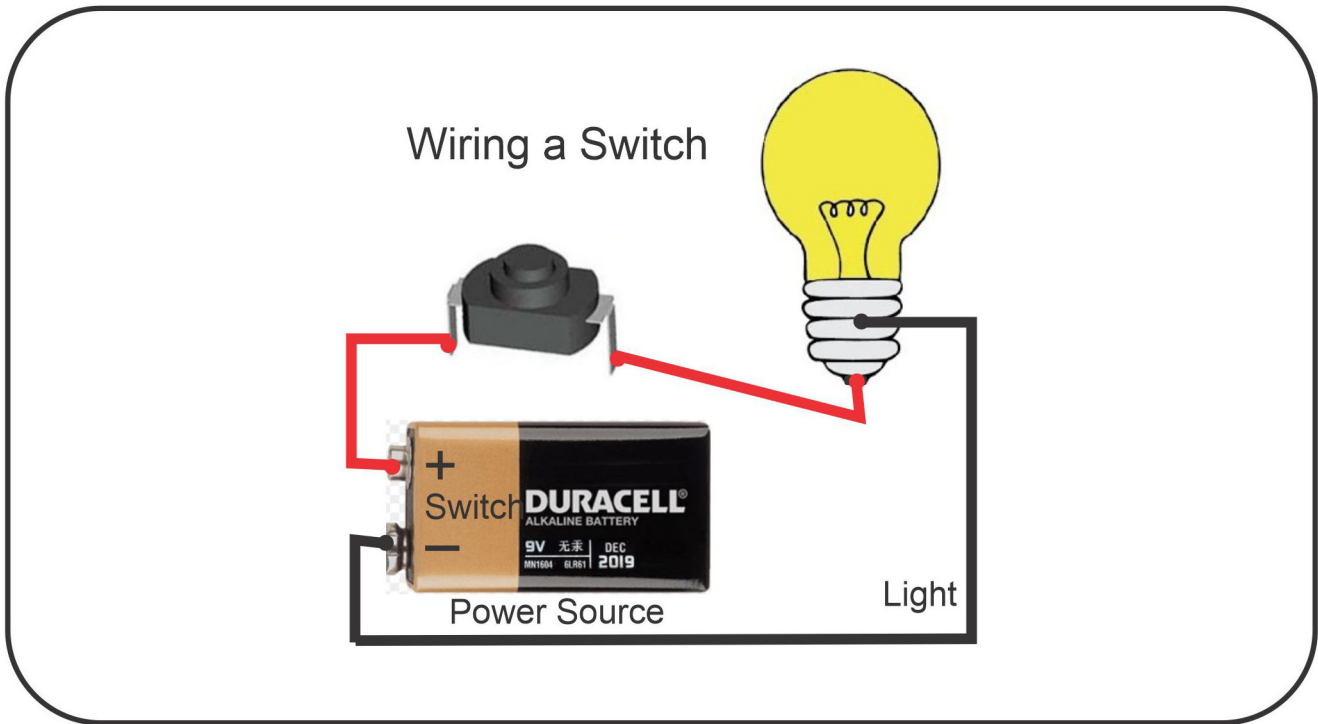
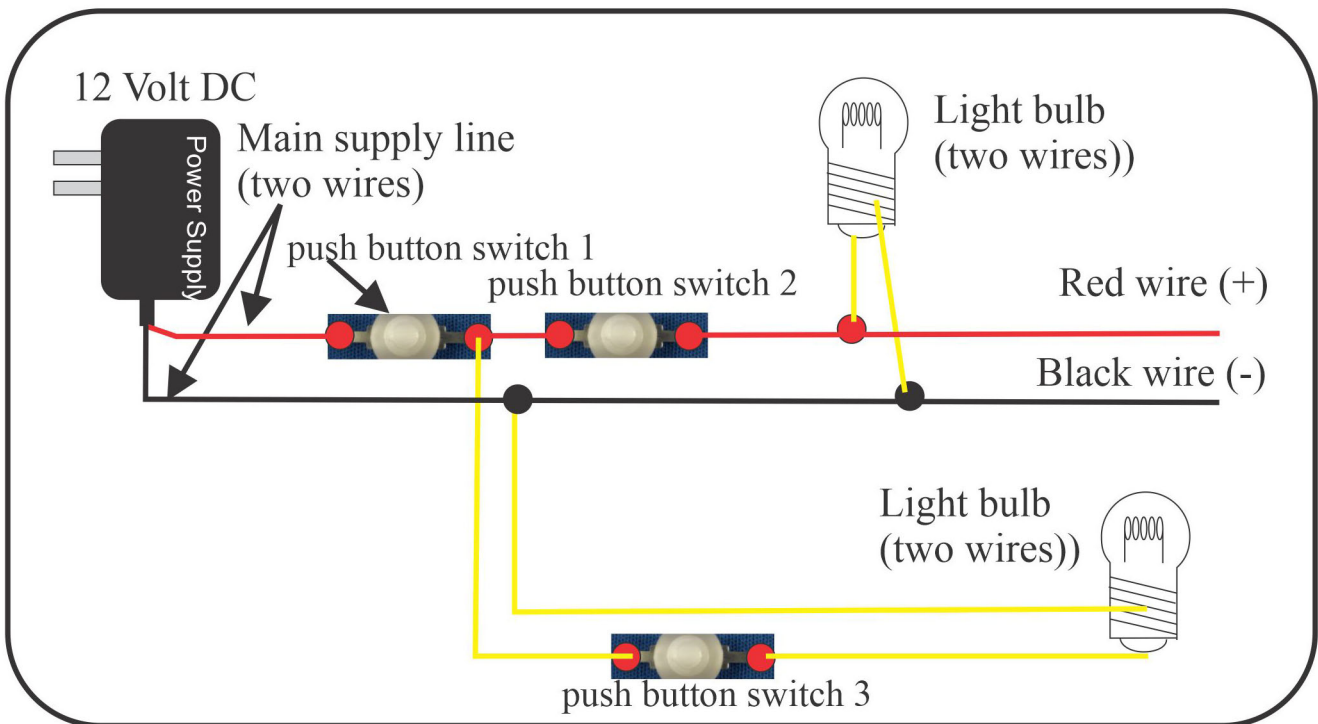


# Wiring a Switch



1. A switch is wired in series to the light or circuit to be switched.
2. Place the switch on the Positive (Red) side of the circuit.



Wiring your dollhouse is actually extremely easy to understand when you realize all you have are two wires. There are two wires coming from the power supply and two wires from each light fixture. All you need to do is connect one wire from each of your light fixtures to one of the two wires coming from the power supply. Then connect the second wire from each light fixture to the opposite wire coming from the power supply. Plug in the power supply and all your lights work.

**SWITCH:** A simple switch interrupts one side of the circuit; usually the positive or red side. In other words, a switch opens or closes the flow of electricity to a light, a single circuit (room), or the whole dollhouse depending on where you place the switch. Switch 1 controls the whole circuit and will turn on or off both lights. Switch 2 controls the top light. Switch 3 controls the bottom light.